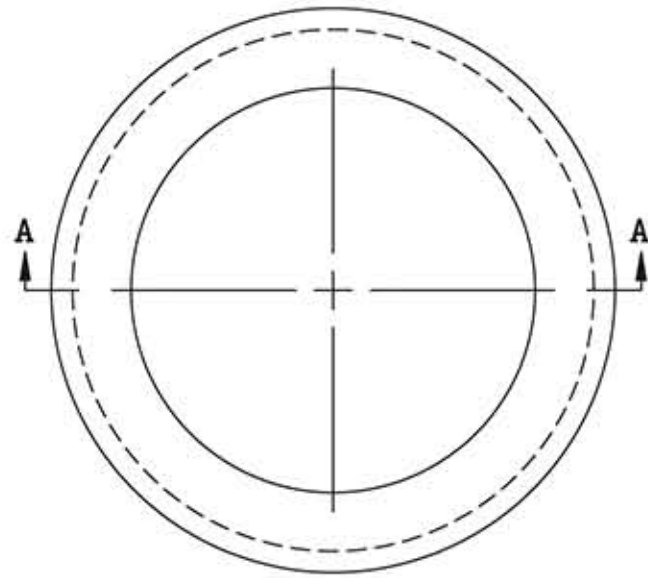
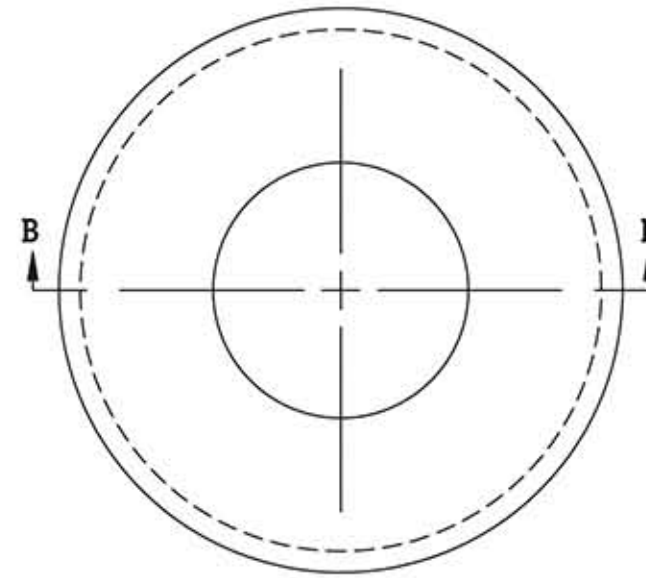


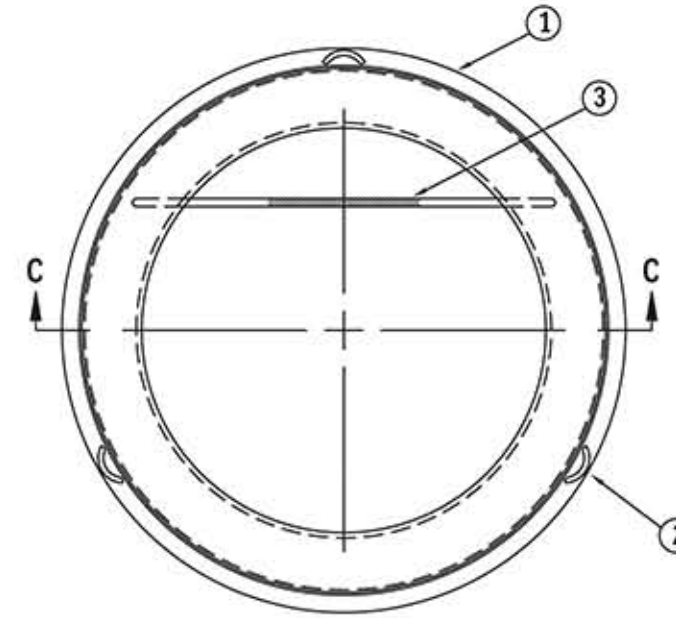
ITEM NO	DESCRIPTION
4CP (SPECIAL ORDER)	4" COLLAR PLAIN
6CP	6" COLLAR PLAIN
6CS	6" COLLAR WITH STEP
12CP	12" COLLAR PLAIN
12CS	12" COLLAR WITH STEP
7CR (SPECIAL ORDER)	7" x 24"Ø REDUCING COLLAR



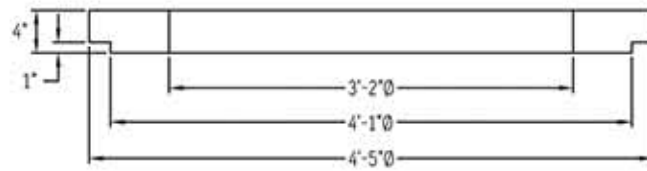
PLAN VIEW
4" COLLAR (SPECIAL ORDER)



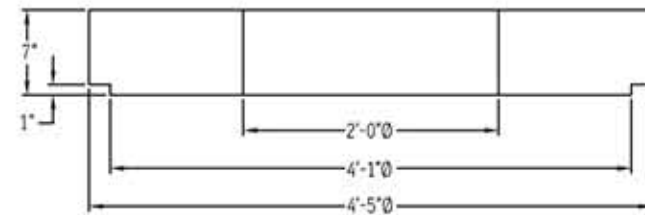
PLAN VIEW
7" x 24"Ø ID REDUCING COLLAR
(SPECIAL ORDER)



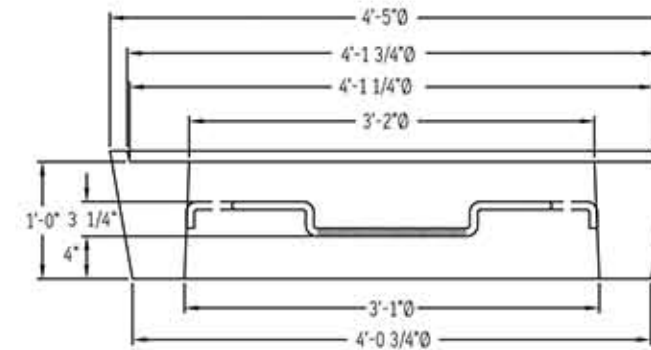
PLAN VIEW
STANDARD 6" & 12" COLLAR
SHOWN WITH STEP



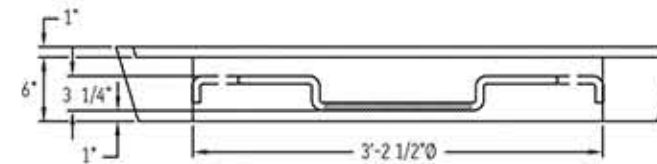
SECTION A-A



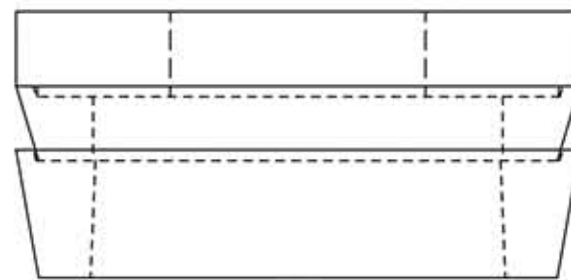
SECTION B-B



SECTION C-C
STANDARD 12" COLLAR
SHOWN WITH STEP



SECTION C-C
STANDARD 6" COLLAR
SHOWN WITH STEP



TYP STACKING DIAGRAM

BILL OF MATERIALS		
Item	Description	Quantity
1	PRECAST CONCRETE COLLAR	1
2	3/8" Ø STEEL LIFTING LOOP	3
3	3/4" Ø STEEL STEP DIAMOND KNURLED HOT DIPPED GALVANIZED REQUIRED ONLY WITH 6CS & 12CS	1

SPECIFICATIONS	
CONCRETE:	5,000 psi @ 28 DAYS 5%-8% ENTRAINED AIR
REBAR:	ASTM A-615 GRADE 60
DESIGN CRITERIA:	A) ASTM C858 B) LOADING PER ASTM C857, INCLUDING: - EARTH COVER: MIN 2'-0" MAX 5'-0" - AASHTO HS-20 WHEEL LOAD & APPLICABLE IMPACT - VERTICAL & LATERAL SOIL PRESSURES DETERMINED USING 120 PCF SOIL DENSITY C) GROUNDWATER AT 3'-0" BELOW GRADE D) REINFORCING COVER PER ACI 318
WEIGHT:	4" COLLAR PLAIN: 310# 6" COLLAR PLAIN: 465# 6" COLLAR WITH STEP: 475# 12" COLLAR PLAIN: 915# 12" COLLAR WITH STEP: 925# 7" x 24" ID COLLAR: 950#

4", 6", 12" COLLARS AND REDUCING COLLARS

Get the Precast Advantage!