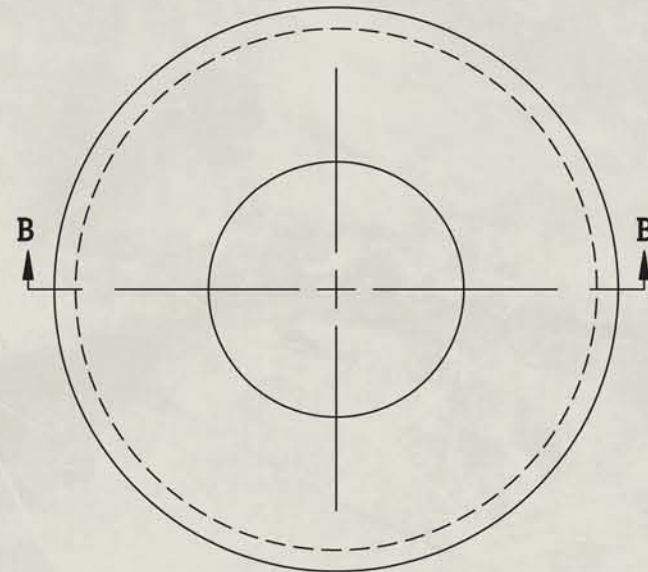
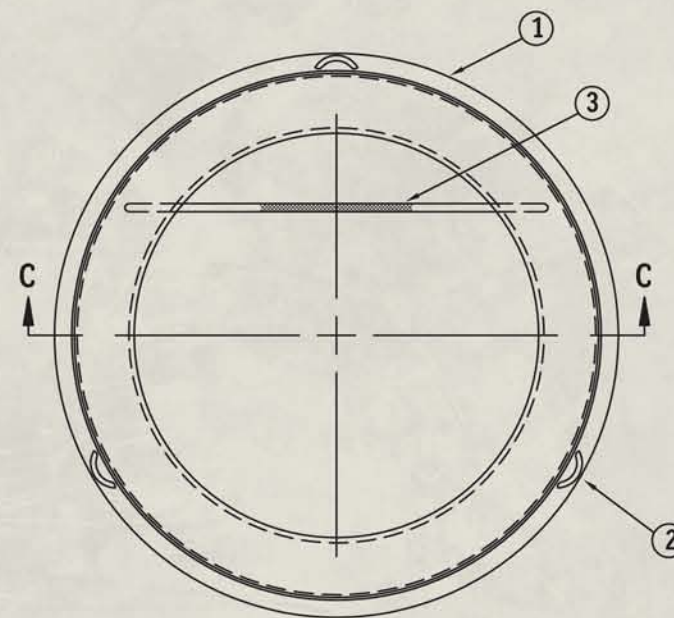


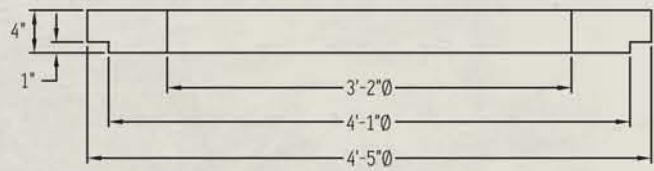
**PLAN VIEW**  
 4" COLLAR (SPECIAL ORDER)



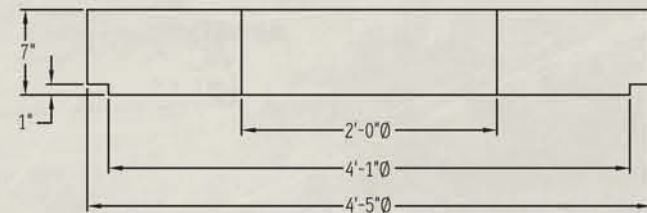
**PLAN VIEW**  
 7" x 24" ID REDUCING COLLAR  
 (SPECIAL ORDER)



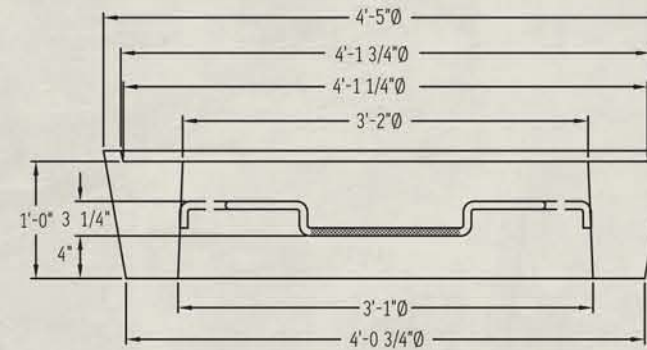
**PLAN VIEW**  
 STANDARD 6" & 12" COLLAR  
 SHOWN WITH STEP



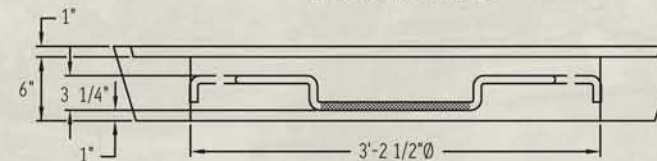
**SECTION A-A**



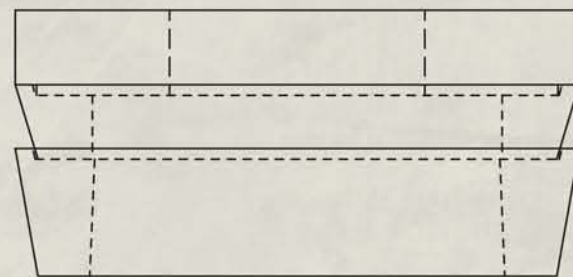
**SECTION B-B**



**SECTION C-C**  
 STANDARD 12" COLLAR  
 SHOWN WITH STEP



**SECTION C-C**  
 STANDARD 6" COLLAR  
 SHOWN WITH STEP



**TYP STACKING DIAGRAM**

ITEM NO	DESCRIPTION
4CP (SPECIAL ORDER)	4" COLLAR PLAIN
6CP	6" COLLAR PLAIN
6CS	6" COLLAR WITH STEP
12CP	12" COLLAR PLAIN
12CS	12" COLLAR WITH STEP
7CR (SPECIAL ORDER)	7" x 24"Ø REDUCING COLLAR

**BILL OF MATERIALS**

Item	Description	Quantity
1	PRECAST CONCRETE COLLAR	1
2	3/8" Ø STEEL LIFTING LOOP	3
3	3/4" Ø STEEL STEP DIAMOND KNURLED HOT DIPPED GALVANIZED REQUIRED ONLY WITH 6CS & 12CS	1

**SPECIFICATIONS**

- CONCRETE:** 5,000 psi @ 28 DAYS  
 5%-8% ENTRAINED AIR
- REBAR:** ASTM A-615 GRADE 60
- DESIGN CRITERIA:**
- A) ASTM C858
  - B) LOADING PER ASTM C857, INCLUDING:
    - EARTH COVER: MIN 2'-0" MAX 5'-0"
    - AASHTO HS-20 WHEEL LOAD & APPLICABLE IMPACT
    - VERTICAL & LATERAL SOIL PRESSURES DETERMINED USING 120 PCF SOIL DENSITY
  - C) GROUNDWATER AT 3'-0" BELOW GRADE
  - D) REINFORCING COVER PER ACI 318
- WEIGHT:**
- |                       |      |
|-----------------------|------|
| 4" COLLAR PLAIN:      | 310# |
| 6" COLLAR PLAIN:      | 465# |
| 6" COLLAR WITH STEP:  | 475# |
| 12" COLLAR PLAIN:     | 915# |
| 12" COLLAR WITH STEP: | 925# |
| 7" x 24" ID COLLAR:   | 950# |



**4", 6", 12" COLLARS AND REDUCING COLLARS**

*Get the Precast Advantage!*